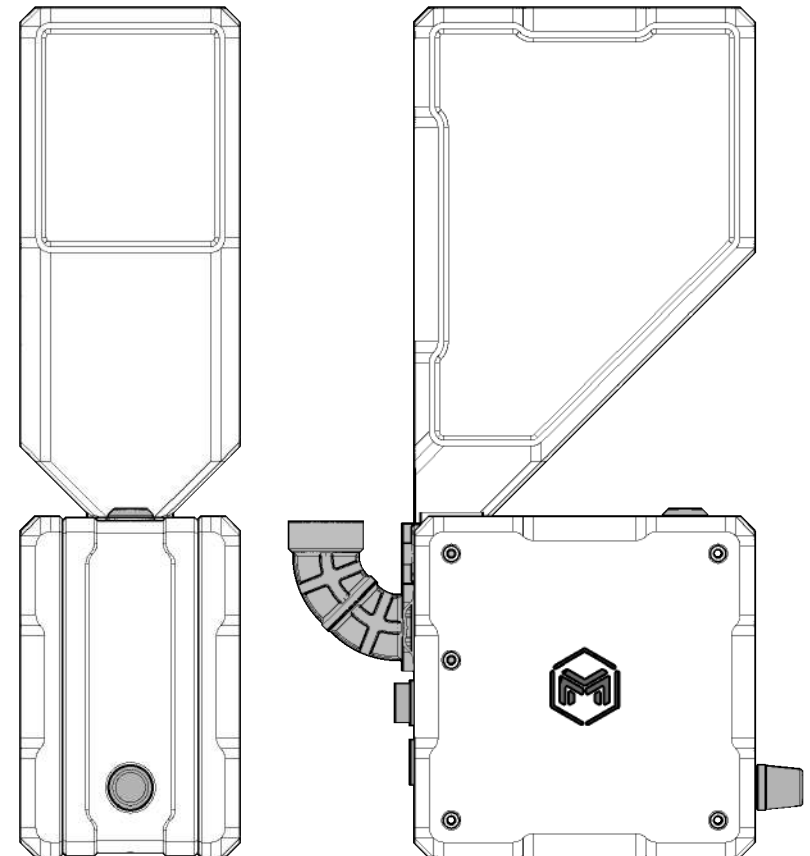
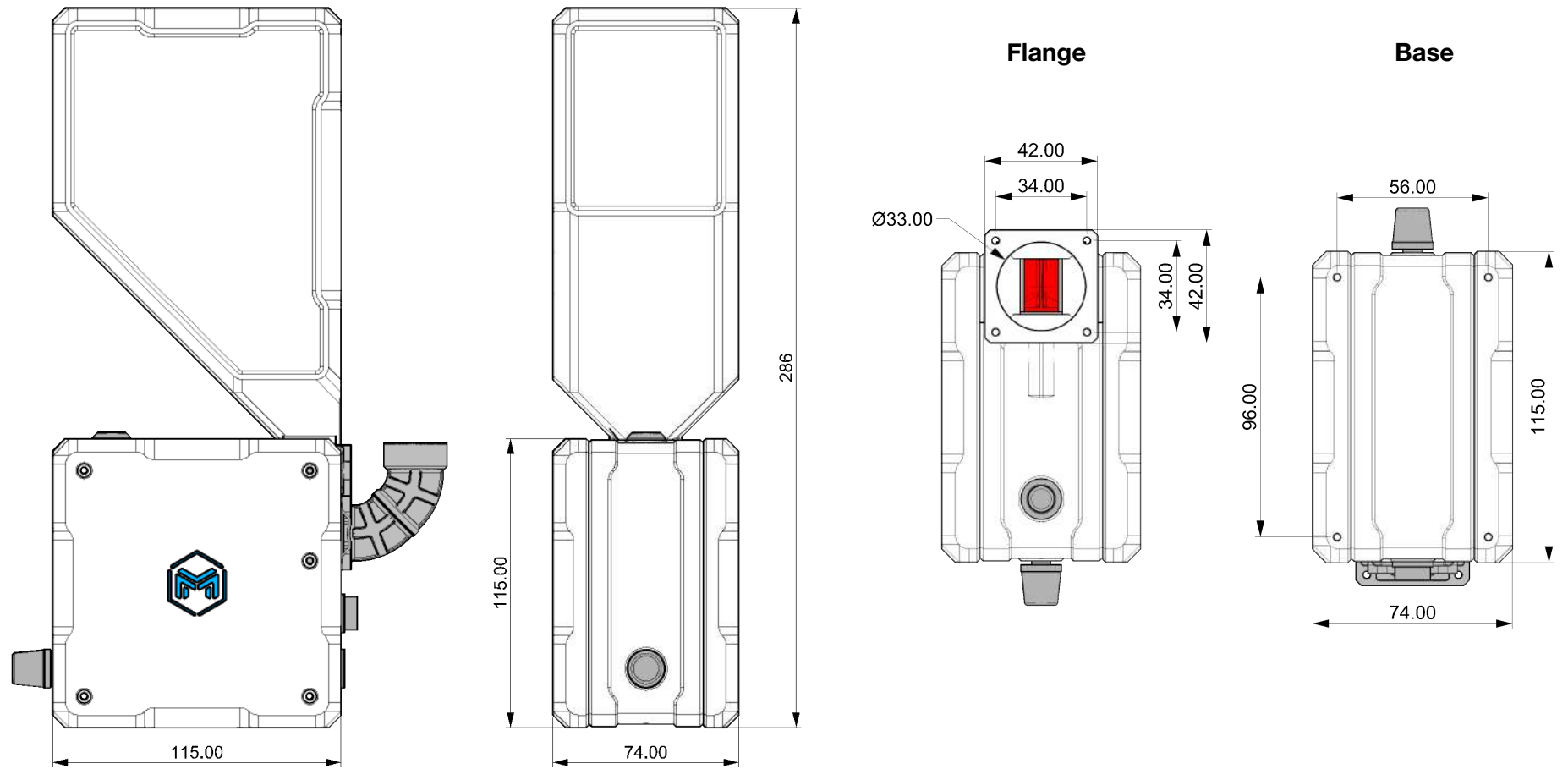


Product specifications

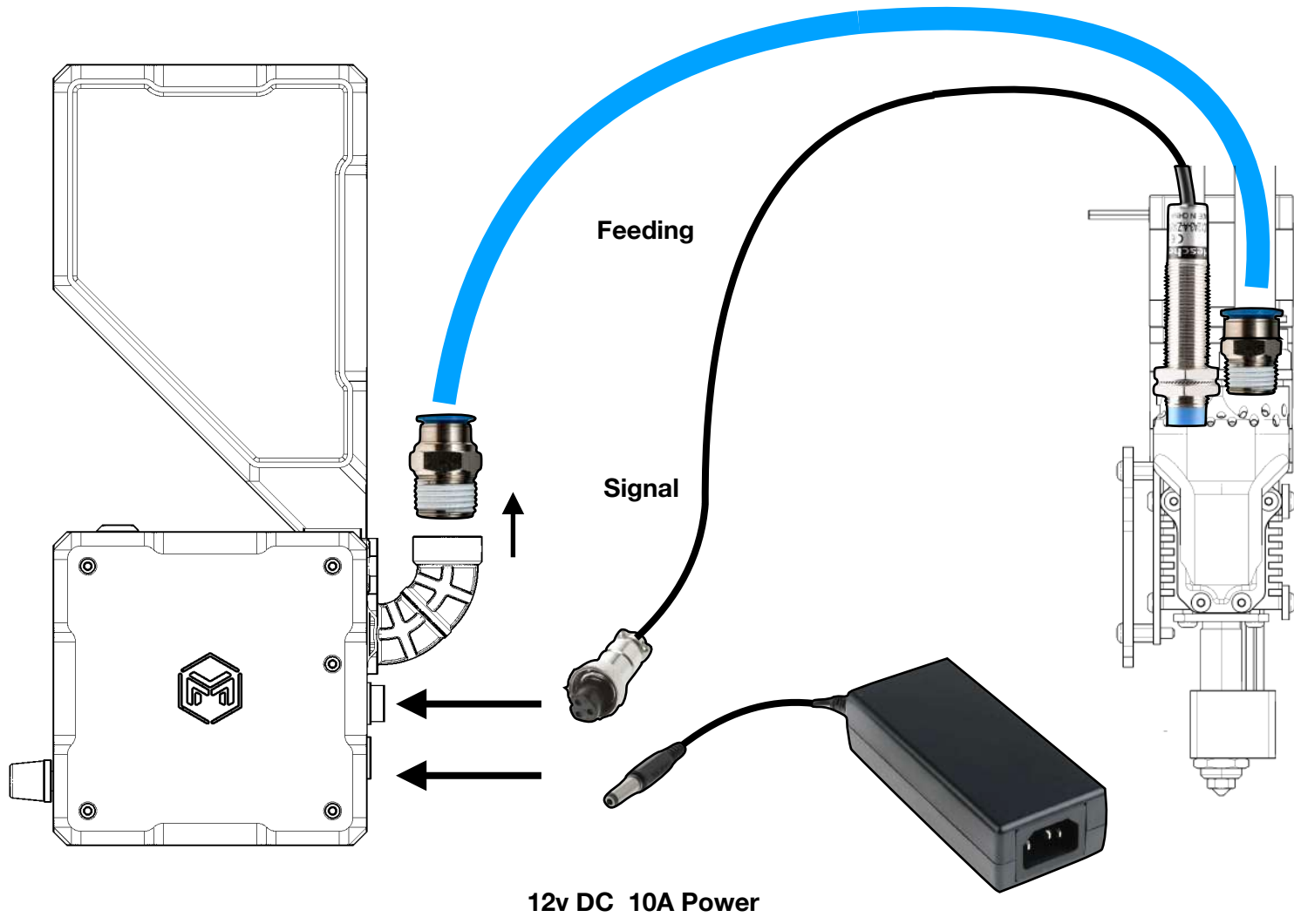
Reference	FSL-1-12	
Capability	Hopper	1L
	Dosing	2-3 kilos/hour
Consumable	Pellet	
	Diameter range	Ø1-4 mm
Tube	Outer diameter	Ø12 mm
	Inner diameter	Ø8 mm
	Length	2 m
	Material	Flexible polyurethane
Power	Supply	12VDC 100W
	Air pressure	5.5 kpa
Interface	Dosing blade switch PWM Air pressure	
Level sensor	Capacitive	Ø12mm
Measurements	75 x 115 x 186 mm	
Weight	≈1000g	



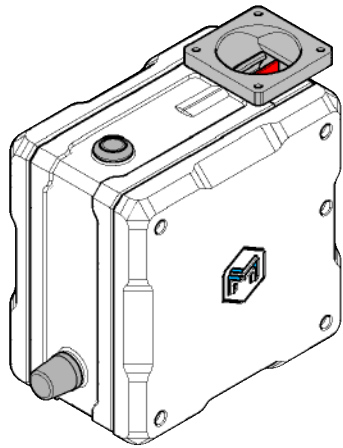
Dimensions



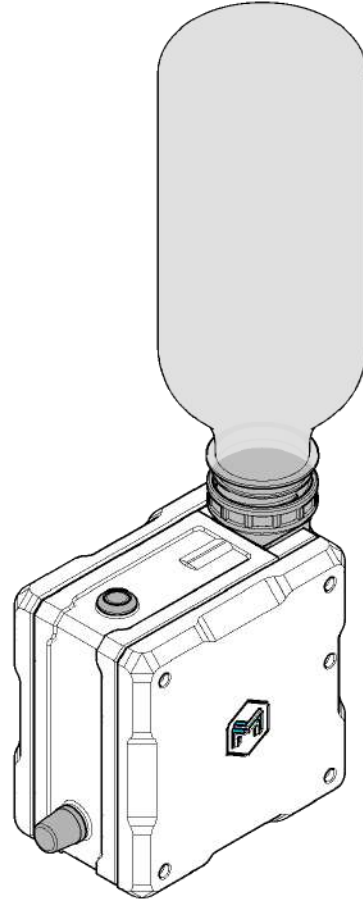
Plug and play



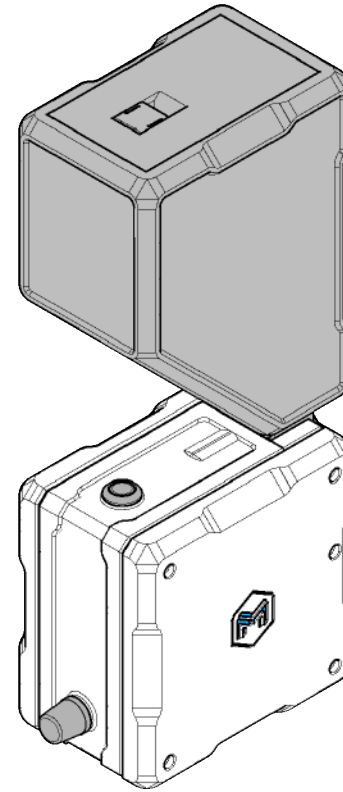
Hopper options



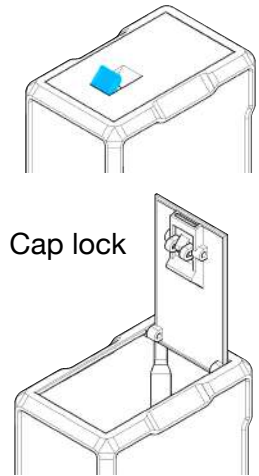
33mm flange



PET 38mm 3 start bottle

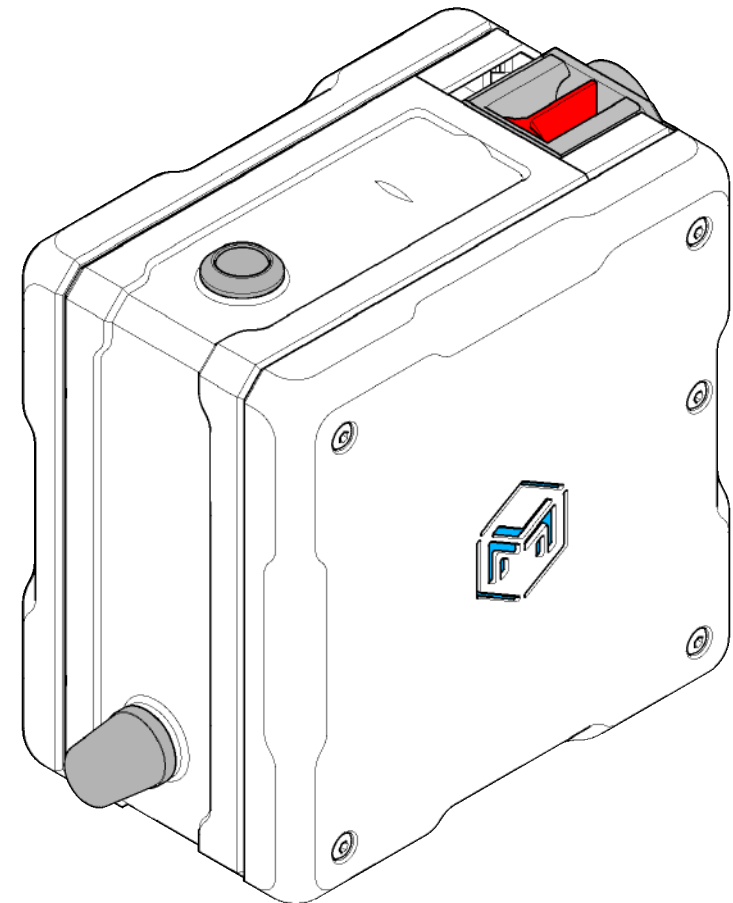
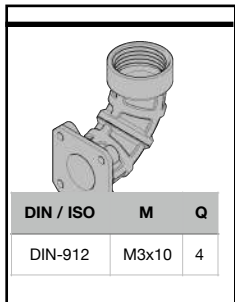
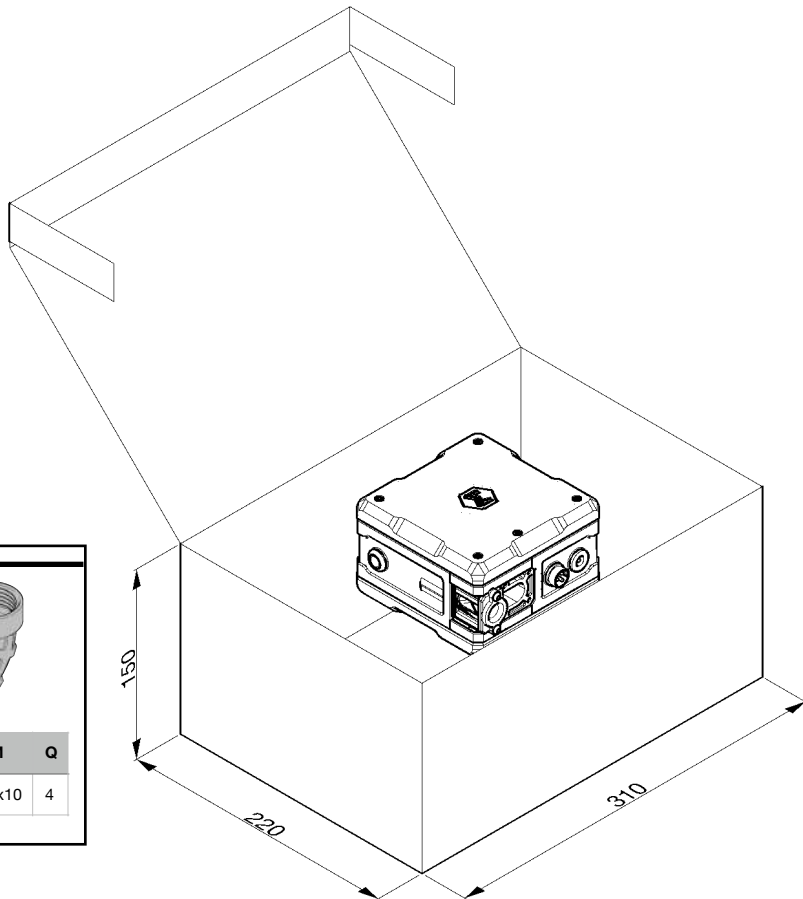
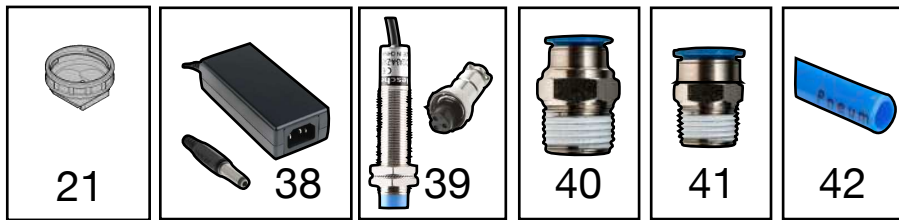


Printed hopper

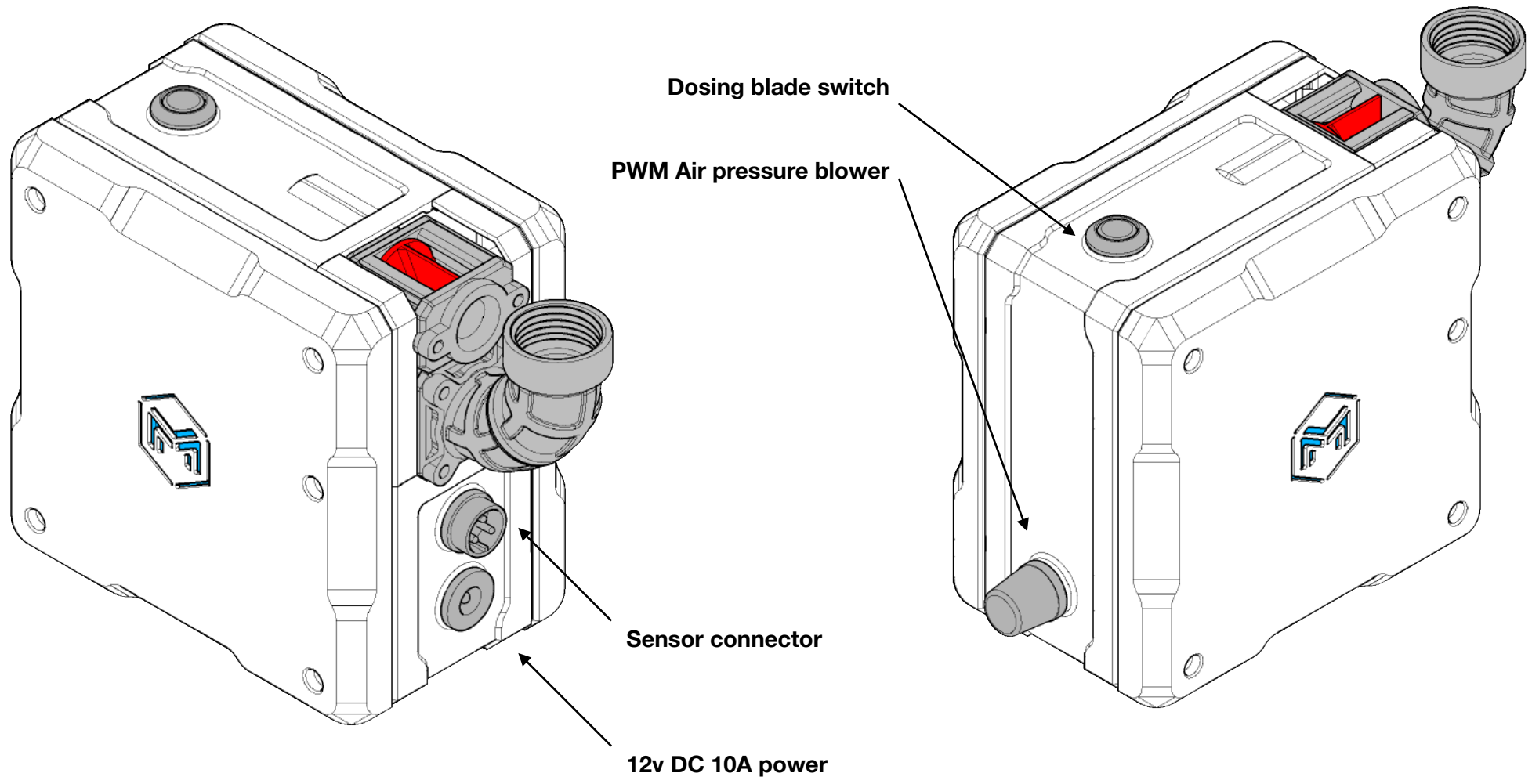


Cap lock

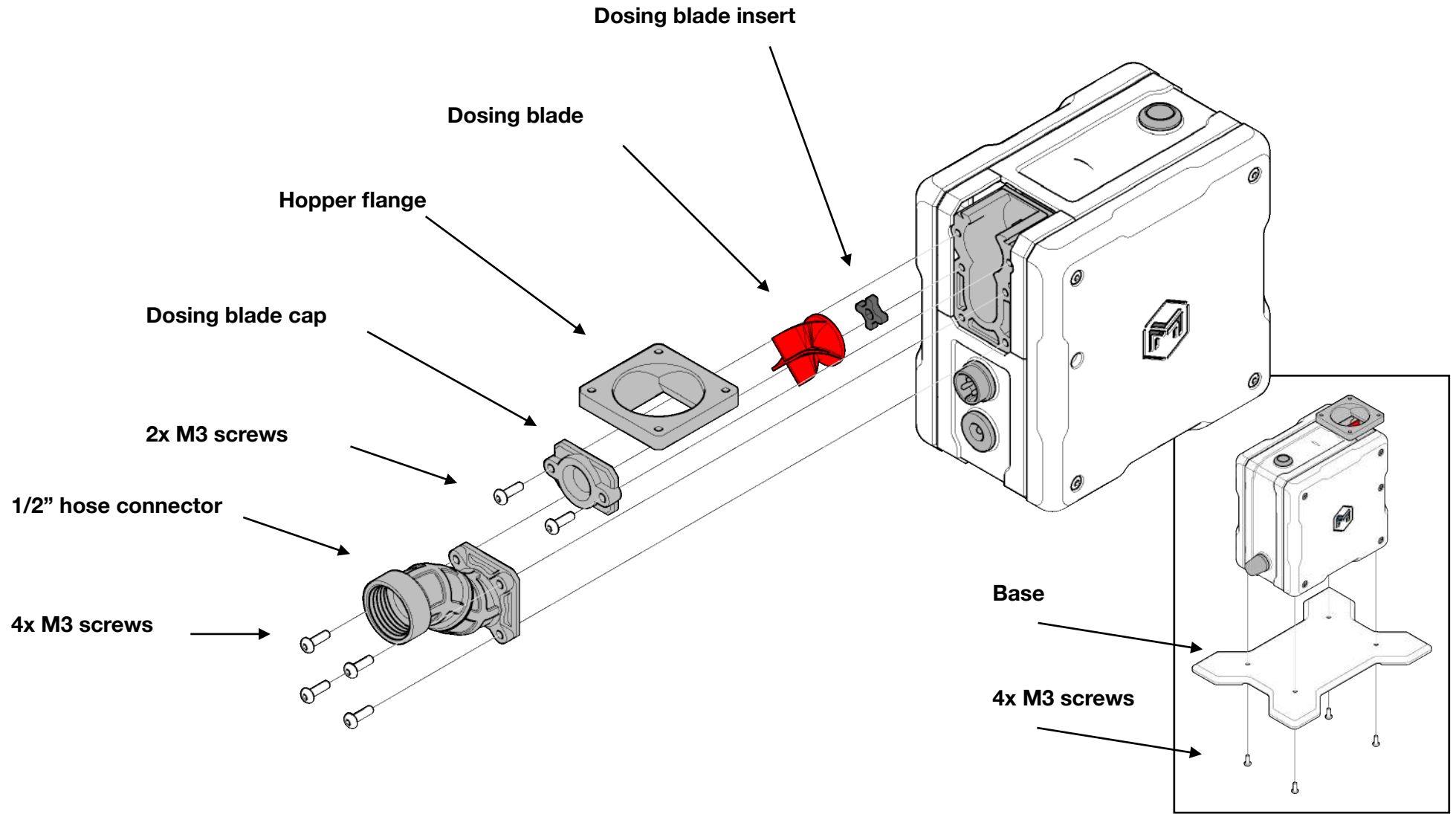
PACK



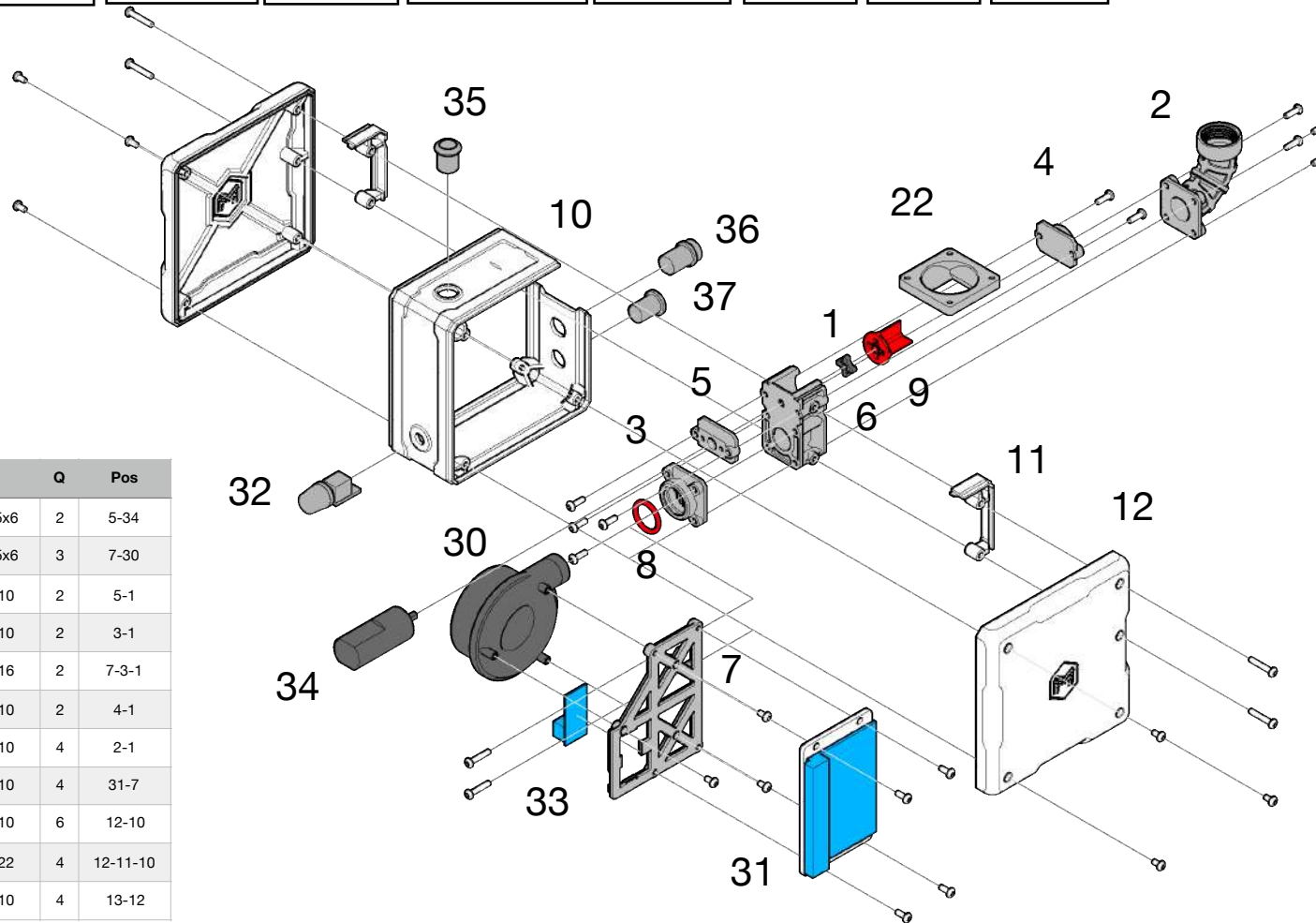
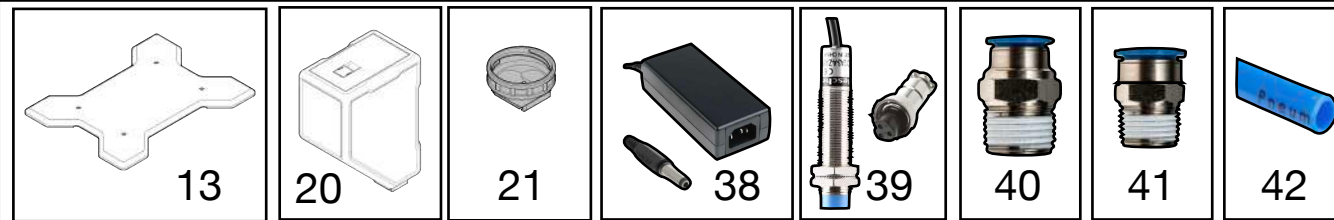
User interface



User maintenance



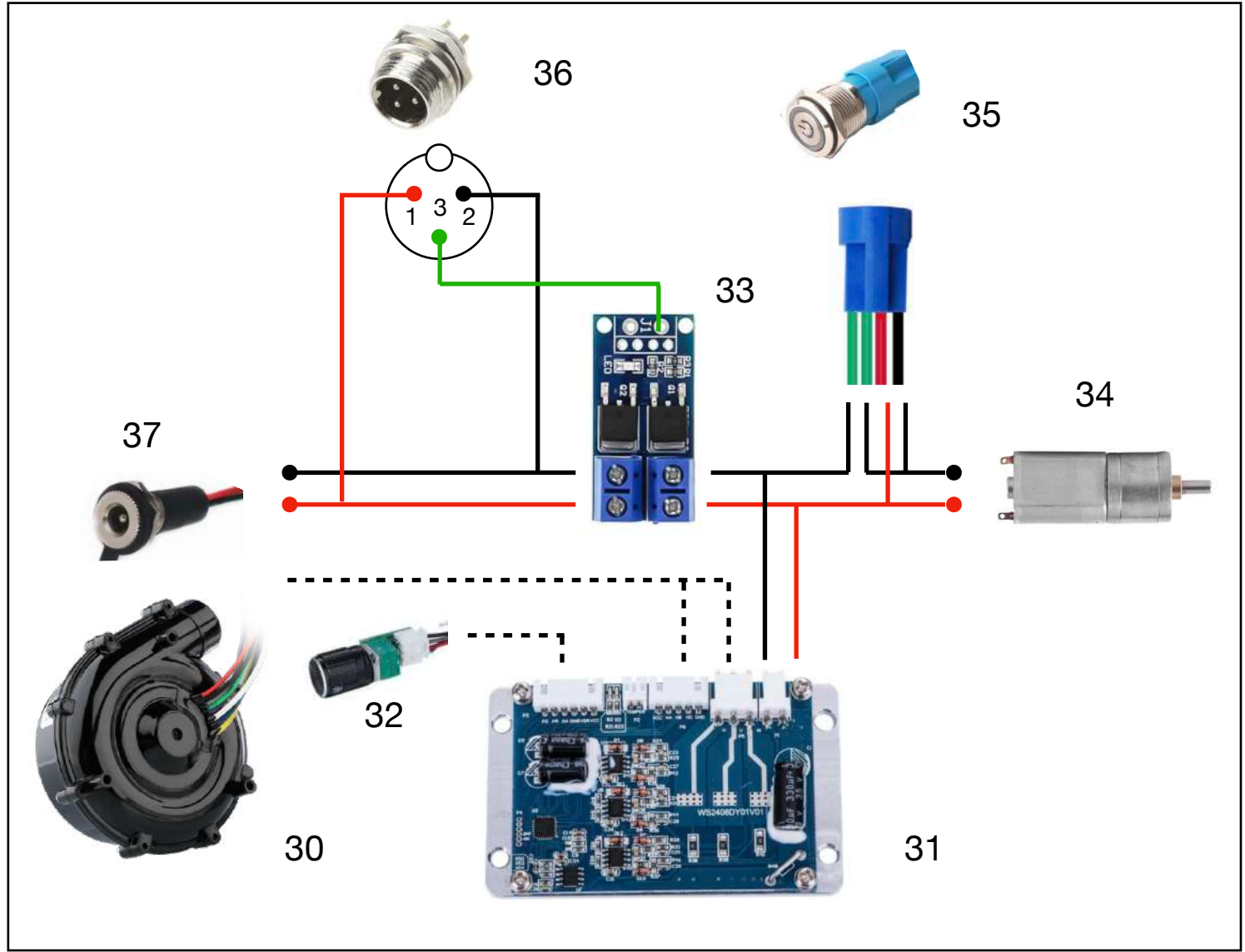
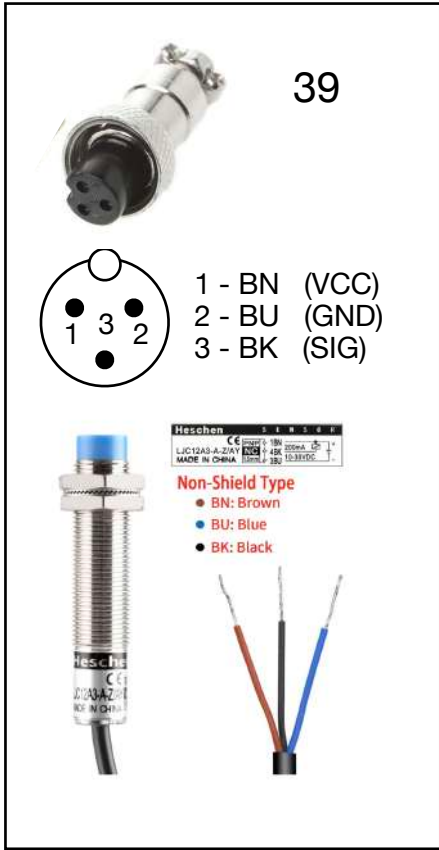
Exploded view



DIN / ISO	M	Q	Pos
DIN-912	M2.5x6	2	5-34
DIN-912	M2.5x6	3	7-30
DIN-912	M3x10	2	5-1
DIN-912	M3x10	2	3-1
DIN-912	M3x16	2	7-3-1
DIN-912	M3x10	2	4-1
DIN-912	M3x10	4	2-1
DIN-912	M3x10	4	31-7
DIN-912	M3x10	6	12-10
DIN-912	M3x22	4	12-11-10
DIN-912	M3x10	4	13-12

N°	NAME	REF
1	Colector	FSL001
2	Hose connector	FSL002
3	Blower flange	FSL003
4	Dosing blade cap	FSL004
5	Reducer flange	FSL005
6	Dosing blade insert	FSL006
7	Electronics frame	FSL007
8	O-ring 21*2.5	FSL008
9	Dosing blade	FSL009
10	Central box	FSL010
11	Box cap spacer	FSL011
12	Box cap	FSL012
13	Base	FSL013
20	Printed hopper	FSL020
21	PET bottle flange	FSL021
22	Ø33mm flange	FSL022
30	Blower	WS704012
31	Driver	WS704012
32	PWM dial	WS704012
33	Mosfet relay	XY-MOS
34	Motor reducer	20GA1215
35	Switch button	E243JP
36	GX12 3pin	GX123P
37	Power Jack	R926
38	Power supply	ALT-1210-DE
39	Capacitive sensor	LJC12A3-A-Z/AY
40	1/2" 12mm racord	QS-1/2-12
41	3/8" 12mm racord	QS-3/8-12
42	PU tuve	PUN-H-12X2-BL

Wiring draw



Electronics

Pulsador con Enchufe de Cable (LED Rojo) Normalmente Abierto SPST ON/Off 12V-24V 3A

Please understand clearly before wiring!

Led light on only when you press button
 Lumière LED allumée uniquement lorsque vous appuyez sur le bouton
 LED-Licht nur an, wenn Sie die Taste drücken
 Luce led accesa solo quando si preme il pulsante
 Luz LED encendida solo cuando presiona el botón

Módulo de controlador MOSFET 5 V-36 V, 15 A (máx. 30 A) 400 W

Perfect PWM control , PWM frequency range 0~20KHZ

Power Jack Conector 5.5 X 2.1mm 12V DC 10A Hembra de Montaje en Panel con Línea de Soldadura

Connector aereo GX12 3pin

Wall Sensor

Motor reductor 20GA 130-380 DC12.0V 15rpm

Blower and driver WONSMART WS7040 12v

Sensor capacitivo LJC12A3-A-Z/AY 6-36 VDC 200mA PNP normalmente cerrado (NC) 3 hilos CE

Non-Shield Type

- BN: Brown
- BU: Blue
- BK: Black

Notes

Download STL

