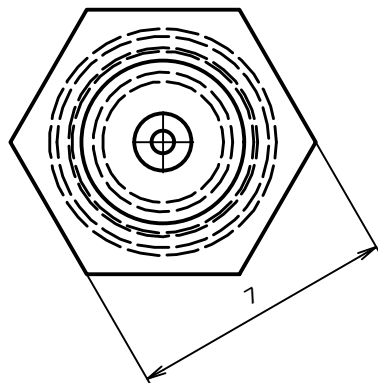
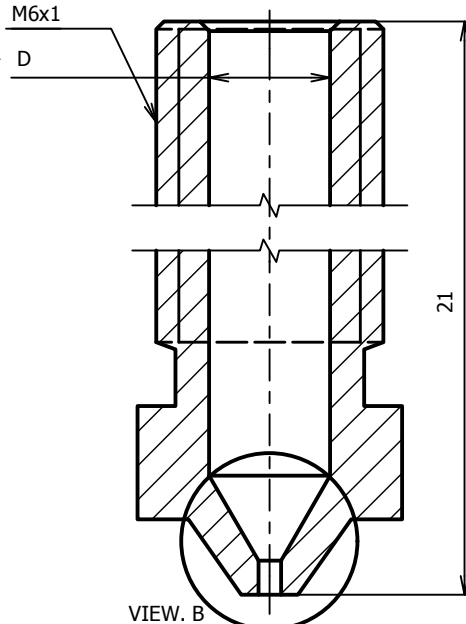
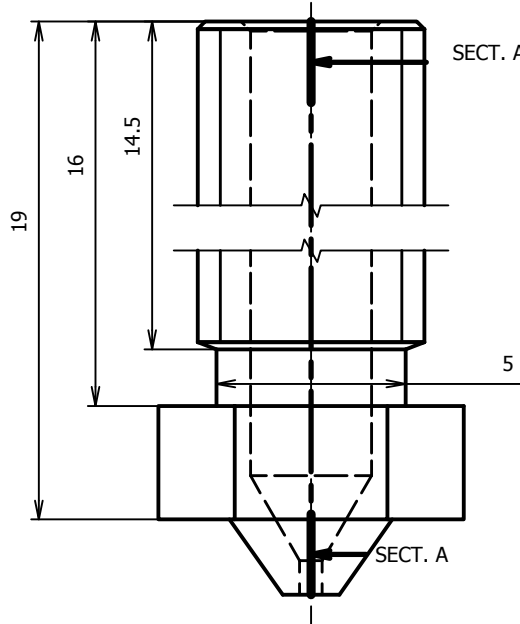


SECT. A-SECT. A (5)




NOZZLE GEOMETRIES					
A	A	B	C	D	# Dots
VOLCANO-NOZZLE-175-0400	0.40	1.00	0.6	2.00	4
VOLCANO-NOZZLE-175-0600	0.60	1.50	1.2	2.00	0
VOLCANO-NOZZLE-175-0800	0.80	2.00	1.6	2.00	1
VOLCANO-NOZZLE-175-1000	1.00	2.50	2.0	2.00	2
VOLCANO-NOZZLE-175-1200	1.20	3.00	2.4	2.00	3
VOLCANO-NOZZLE-300-0400	0.40	1.00	0.6	3.20	4
VOLCANO-NOZZLE-300-0600	0.60	1.50	1.2	3.20	0
VOLCANO-NOZZLE-300-0800	0.80	2.00	1.6	3.20	1
VOLCANO-NOZZLE-300-1000	1.00	2.50	2.0	3.20	2
VOLCANO-NOZZLE-300-1200	1.20	3.00	2.4	3.20	3

THIRD ANGLE PROJECTION
 ALL DIMENSIONS IN MM
 MATERIAL: Brass (as v5)
 SCALE: 5:1
 SURFACE FINISH: UNFINISHED UNLESS STATED

Copyright (C) E3D-Online Ltd (e3d-online.com)

These drawings are free hardware: you can redistribute it and/or modify it under the terms of the GNU General Public License as published by the Free Software Foundation, either version 3 of the License, or (at your option) any later version.

Designed by E3D Online - JR	Checked by SM	Approved by SM	Date 06/10/2014	Date 06/10/2014	
 E3D-ONLINE your toolkit for everything 3D printing			E3D v6 Nozzles ALL - LONG		
			V6.5.1 NOZZLE-175-LONG	Edition 5.1	Sheet 1 / 1