

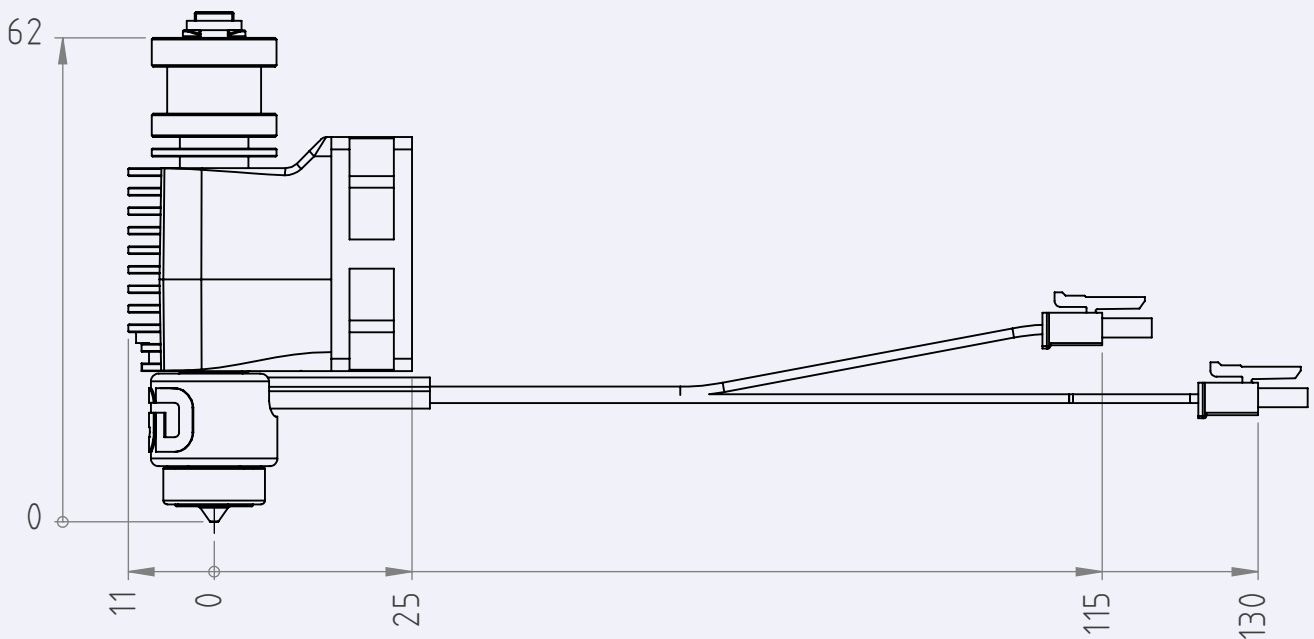
RapidChange™
Revo™ Six
DATA SHEET



SUMMARY

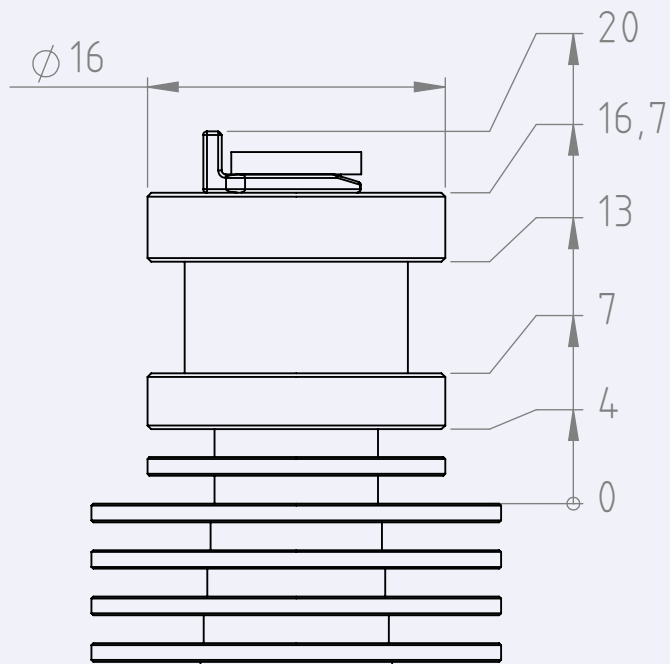
- Max printing temperature: 300°C
- Mass: ~53g
- Flow rate: 10mm³/sec (depending on filament)
- Temperature sensor type: thermistor, Semitec 104NT
- Voltage options: 12V or 24V
- Wattage: 40W
- Filament diameter: 1.75mm
- Temperature sensor type: thermistor, Semitec 104NT

DIMENSIONS



MOUNTING GUIDANCE

Mounting type: E3D Groove Mount



CABLE ORIENTATION

Turn Revo HeaterCore anti-clockwise to orient cables. Turning clockwise will cause the spring to disengage.

ASSEMBLY

There is no need to hot-tighten the Revo Six assembly. Tools must not be used to fasten the Revo Nozzle to the HeaterCore.

OPERATIONAL TEMPERATURES

Maximum recommended operating temperature (PLA): 40°C

Lowest temperature rated component: Fan 70°C

ELECTRICAL SPECIFICATION

Fan

- 12V or 24V
- Fan current: 0.1A (12V) and 0.08A (24V)
- Fan noise: 30 dB(A)

Heater

- 12V or 24V, 40W nominal power at ambient

Temperature

- Temperature sensor: Semitc 104NT

CONNECTIONS

Fan: Molex Micro-Fit 3.0, 2 pin vertical

Heater: Molex Micro Fit 3.0, 2 pin horizontal

Temperature sensor: Molex Micro-Fit 3.0, 2 pin horizontal

Assembly is supplied with 1m cables to connect to mainboard

MATERIALS

Heatsink: Aluminium (black anodised)

HeaterCore: Alumina, Bronze

Fan Shroud:

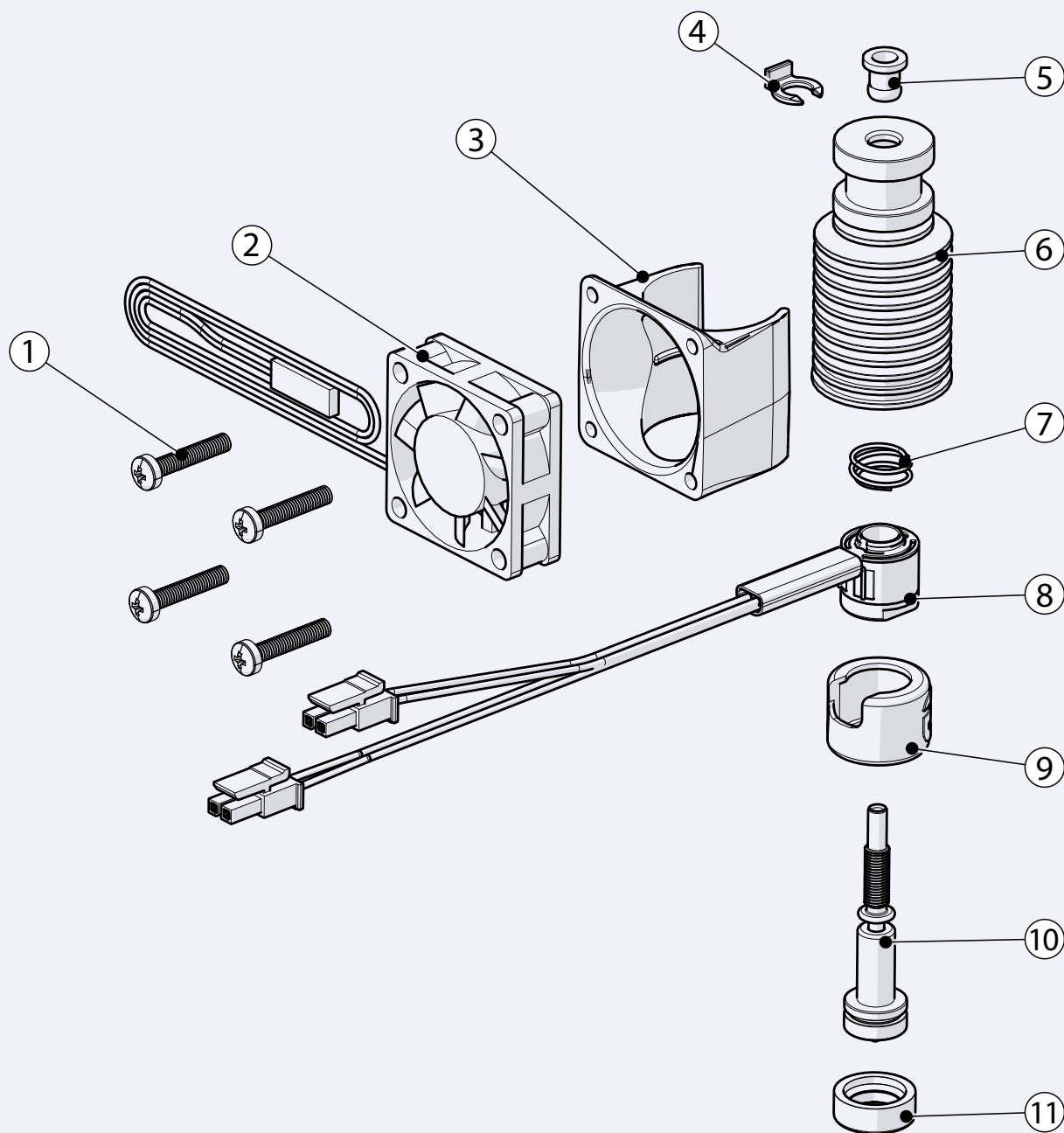
COMPLIANCE

Reach

RoHS

WEEE

EXPLODED VIEW



1. 4x Self-Tapping Screws
2. 3010 fan
3. Fan duct
4. Collet clip
5. Collet
6. Heatsink

7. Revo spring
8. Revo HeaterCore
9. Revo HeaterCore sock
10. Revo Nozzle
11. Revo Nozzle Sock

CHANGELOG

Edition 1: Published 03/11/21

- Approved: RY 01/11/21

Edition 2: Published 07/12/21

- Approved: DR 07/12/21
- Notes: Flow rate units changed to 10mm³/sec

Edition 4: Published 17/01/22

- Approved: DR 17/01/22
- Notes: Operating temperature updated

