

QR 3.0

The Bondtech QR Universal extruder for 3.0 mm filament gives you the market's highest performance, precision and reliability with its DualDrive gear system.

Super sharp drive gear teeth's grips the filament from both sides that gives very high available feeding force to ensure uninterrupted material flow to avoid under extrusions. Filament grinding, and slippage is now a thing of the past.

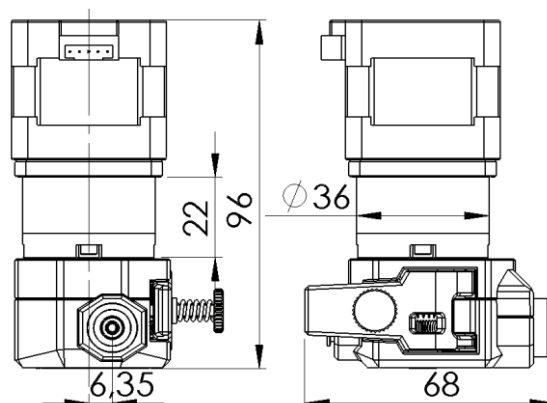
QR 3.0 is available in both left hand and right hand. The picture and drawing show the right-hand edition.



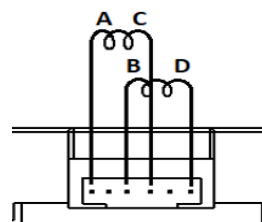
Technical Specification

- EAN-code RH 7350011410071
- EAN-code LH 7350011410101
- Net weight 475g
- Gross weight 525g
- Package dimension 137x94x65mm
- Max current 1.2A
- Gearing ratio 5.18:1
- Filament diameter 2.85/3.0mm
- Operating temperature 0–80°C
- E-steps value 492.45

Drawing



Electrical Connection



Contact Information

Bondtech AB
Repslagarevägen 3J
33153 Värnamo
Sweden

E-mail: support@bondtech.se
Web: www.bondtech.se